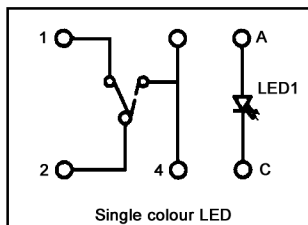
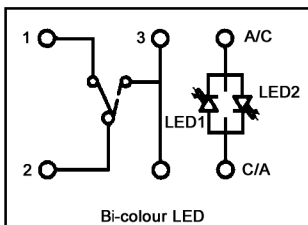
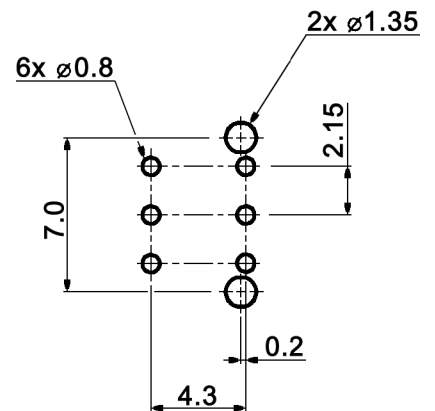


P.C.B. LAYOUT



Compliance: RohS III (2015/863/EU)

Tolerances: 0.00: ±0.25mm 0.0: ±0.40mm	Date	Name
	04/12	dr
UL information	04/22	dr
Packaging	07/15	dr
Revised	12/13	dr
LED specifications	10/12	dr
Modifications	Date	Name

TM 81 Fx-RA

knitter-switch

30 26 05

Page

1/3

Specifications:

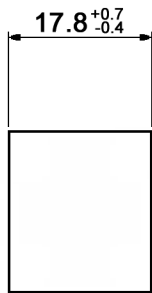
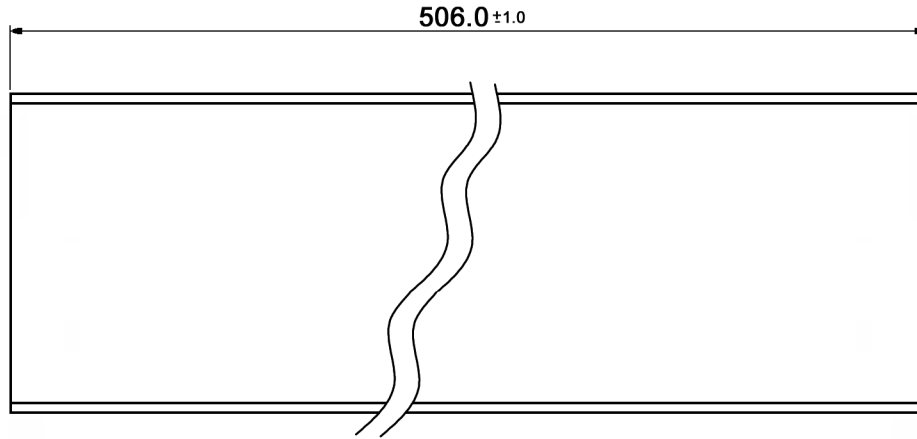
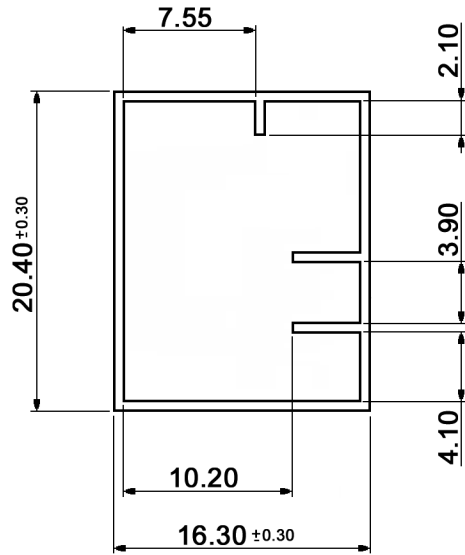
Contact rating: 0.1mA - 100mA, 20V DC - 32V DC, 1VA max.
 Contact resistance: 150mOhm max.
 Insulation resistance: 100MOhm min. at 500V DC
 Dielectric strength: 250V AC for 1 minute
 Operating temperature: -40°C to +85°C
 Mechanical life: 25 000 cycles
 Operating force: 400 +/-120gf
 Travel: 2.4 +/-0.3mm
 Material: Case: LCP, Polyplastics Laperos E130i, E106764, flammability UL94V-0
 Actuator: PC, Covestro Makrolon 6485, E41613, flammability UL94V-0
 Spacer: silicon
 Contact: stainless steel, silver plated
 Terminals: brass gold plated

x	LED 1	LED 2
(empty)	-	-
W	white	-
R	red	-
Y	yellow	-
G	green	-
B	blue	-
YG	green	yellow
RG	green	red
BA	amber	blue
A	amber	
BR	blue / red	
BG	blue / green	
AG	amber / green	

Compliance: RohS III (2015/863/EU)

Tolerances: 0.00: ±0.25mm 0.0: ±0.40mm		Date	Name	<h1>TM 81 Fx-RA</h1>	
		04/12	dr		
UL information	04/22	dr			
Packaging	07/15	dr	knitter-switch	<h2>30 26 05</h2>	
Revised	12/13	dr			Page
LED specifications	10/12	dr			2/3
Modifications	Date	Name			

Packaging:



Packaging unit: 55 pcs./tube; 6 tubes/bundle; 2 bundles/PE bag; 6 PE bags/carton
 Compliance: RohS III (2015/863/EU)

Tolerances: 0.00: ±0.25mm 0.0: ±0.40mm			Date	Name	<h1>TM 81 Fx-RA</h1>
			04/12	dr	
UL information	04/22	dr	knitter-switch		<h2>30 26 05</h2>
Packaging	07/15	dr			
Revised	12/13	dr			
LED specifications	10/12	dr			
Modifications	Date	Name			
					Page
					3/3